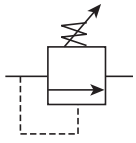
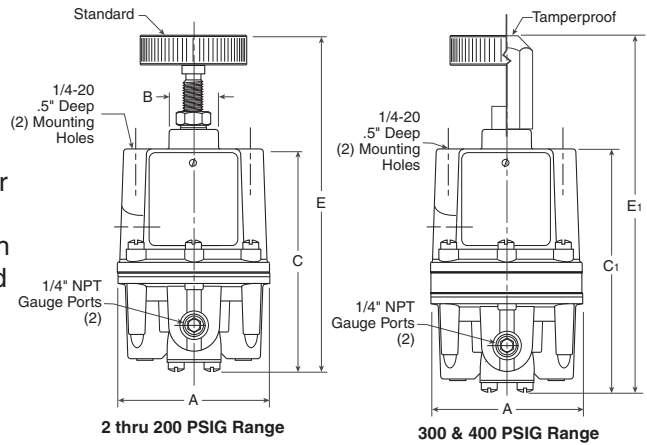


WRA102BP High Precision Relief Valve



Features

- Control sensitivity of .125" (.32 cm) water column allows use in precision applications.
- A separate Control Chamber and Aspirator Tube isolate the diaphragm from the main flow to eliminate hunting and buzzing.
- Unit construction lets you service the WRA102BP without removing it from the line.
- Mounting Bracket is available.



WRA102BP Regulator Dimensions		
A	B	C
3.00 (76.2)	0.97 (24.6)	4.19 (106.4)
C1	E	E1
4.56 (115.9)	6.31 (160.3)	6.75 (171.4)

Inches (mm)

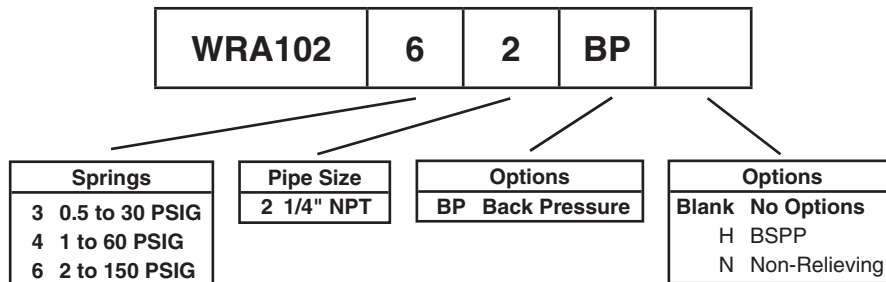
The WRA102BP is a high capacity relief valve that relieves excess pressure in a pneumatic system.

The WRA102BP provides greater accuracy than standard relief valves over a narrow pressure range. The WRA102BP is an excellent choice for a wide range of precision applications.

⚠ WARNING

**Product rupture can cause serious injury.
Do not connect regulator to bottled gas.
Do not exceed maximum primary pressure rating.**

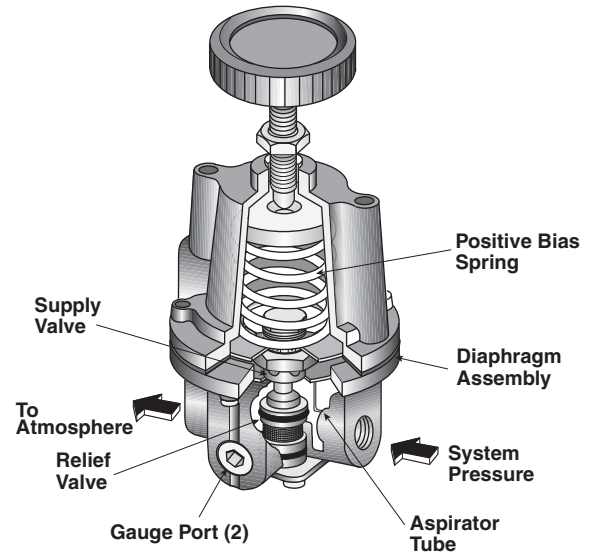
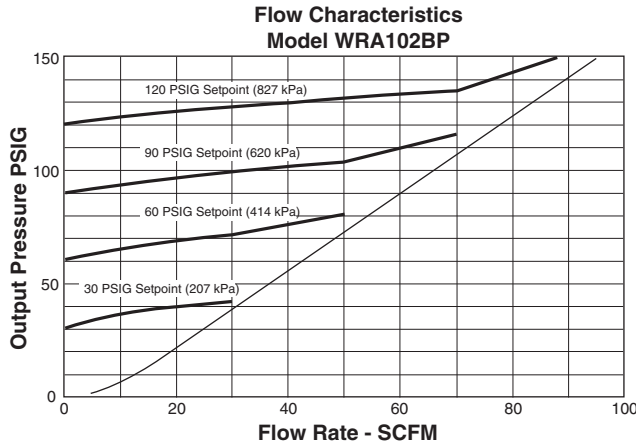
Ordering Information



Note: Other Spring Ranges, Port Sizes, and Options Available. Please Consult Factory

BOLD ITEMS ARE MOST POPULAR.

Technical Information



Operating Principles

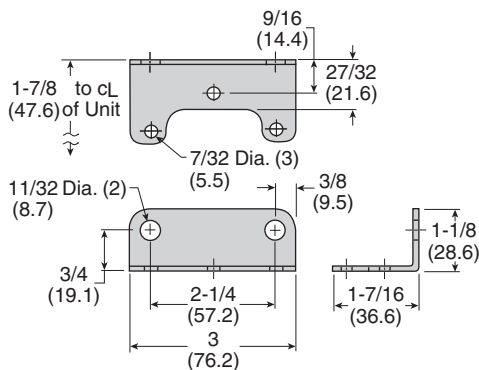
The WRA102BP Regulator uses the force balance principle to open the Relief Valve and vent system pressure when the set point is exceeded.

Downstream pressure is transmitted through the Aspirator Tube to the bottom of the Diaphragm Assembly. When you adjust the range screw for a specific set point, the Positive Bias Spring compresses and exerts a force on the top of the Diaphragm Assembly. As long as the pressure acting on the bottom of the Diaphragm Assembly produces a force less than the spring force acting on the top of the Diaphragm Assembly, the Relief Valve remains closed. When system pressure increases, the force on the bottom of the Diaphragm Assembly increases until it reaches the set point. When system pressure increases beyond the set point, the assembly moves upward, lifting the Relief Valve from its seat and vents the downstream air.

If downstream pressure decreases below the set point, the assembly moves downward closing the Relief Valve.

WRA102BP Kits & Accessories

Mounting Bracket Kit –
Zinc Plated Steel PS09921



Service Kits
0 to 200 PSIG, Standard PS12127-1

Tamper Resistant Kit PS12165

Specifications

Set Point Range	System Pressure (Maximum)
2-200 PSIG (0.15-14 bar) (15-1400 kPa)	300 PSIG (21.0 bar) (2100 kPa)
300-400 PSIG (21-28 bar) (2100-2800 kPa)	500 PSIG (35.0 bar) (3500 kPa)

Flow Capacity (SCFM) –
40 (68 m³/HR) @ 100 PSIG, (7.0 bar), (700 kPa) System Pressure

Sensitivity125" (.005 PSIG) (.32 cm) Water Column
Ambient Temperature -40°F to +200°F, (-40°C to +93°C)

Materials of Construction

Body and Housing Aluminum
Trim Zinc Plated Steel, Brass
Nozzle Nitrile on Dacron