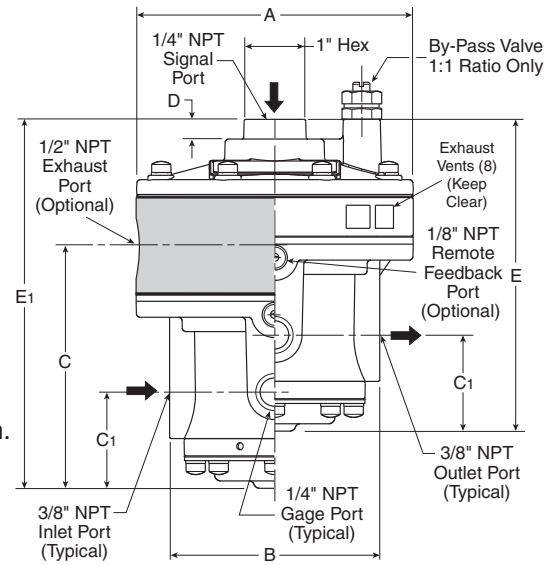


WBA45 Precision Pneumatic Input Signal Amplifier



Features

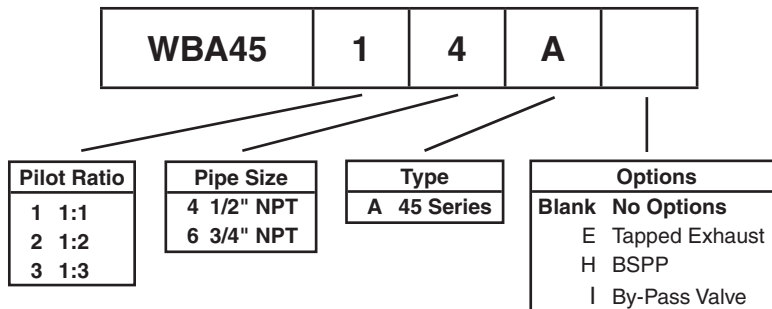
- Five signal to output ratios meet most control element requirements.
- Control sensitivity of water column allows use in precision applications.
- Large Supply and Exhaust Valves provide high forward and exhaust flows.
- Soft Supply and Exhaust Valve seats minimize air consumption.
- A balanced Supply Valve minimizes the effect of supply pressure variation.
- An Aspirator Tube compensates downstream pressure droop under flow conditions.
- A separate Control Chamber isolates the diaphragm from the main flow to eliminate hunting and buzzing.
- Optional remote feedback port minimizes pressure drop at final control element under flow conditions.
- The optional adjustable By-pass Valve lets you tune for optimum dynamic response. (1:1 ratio only)
- Unit construction lets you service the WBA45 without removing it from the line.



WBA45 Regulator Dimensions		
A 4.50 (114.3)	B 3.41 (86.5)	C 3.86 (98)
C₁ 1.56 (39.6)	D .31 (7.9)	E 5.07 (128.8)
E₁ 5.83 (148.2)		

Inches (mm)

Ordering Information

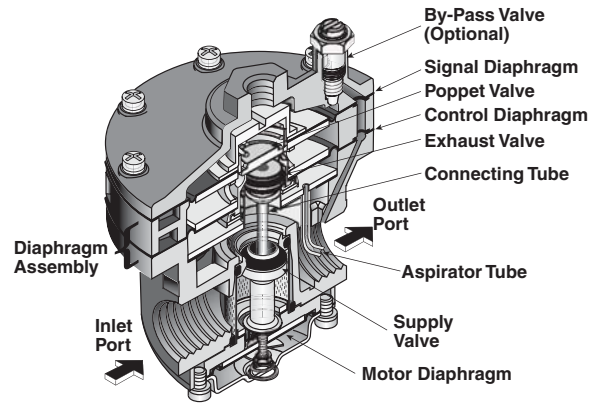
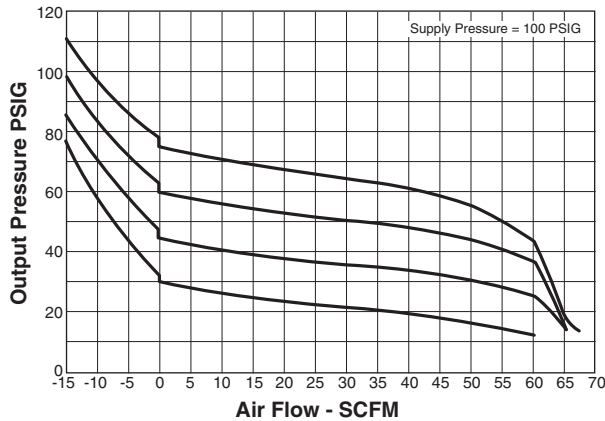


Note: Other Spring Ranges, Port Sizes, and Options Available.
Please Consult Factory

BOLD ITEMS ARE MOST POPULAR.

Technical Information

**Flow Characteristics
Model WBA45**



Operating Principles

When signal pressure on the top of the Signal Diaphragm creates a downward force on the Diaphragm Assembly, the Supply Valve opens. Output pressure flows through the Outlet Port and the Aspirator Tube to the Control Chamber to create an upward force on the bottom of the Control Diaphragm. When the setpoint is reached, the force of the signal pressure that acts on the top of the Signal Diaphragm balances with the force of the output pressure that acts on the bottom of the Control Diaphragm to close the Supply Valve.

When the output pressure increases above the signal pressure, the Diaphragm Assembly moves upward to close the Supply Valve and open the Exhaust Valve. Because the Poppet Valve is closed, pressure flows down the Connecting Tube to the bottom of the Motor Diaphragm. This pressure keeps the Supply Valve tightly closed while in the exhaust mode. The Poppet Valve opens and excess output pressure exhausts through the vent in the side of the unit until it reaches the setpoint.

Materials of Construction

- Body and Housing Aluminum
- Diaphragm Nitrile on Dacron Fabric
- Trim Zinc Plated Steel, Brass

Specifications

Ratio	Signal:Output		
	1:1	1:2	1:3
Maximum Output Pressure, PSIG (bar)	150 (10.0)	150 (10.0)	150 (10.0)
Maximum Supply Pressure, PSIG (bar)	250 (17.0)	250 (17.0)	250 (17.0)
Flow Capacity SCFM, (m³/HR) 100 PSIG, (7.0 bar) Supply, 20 PSIG, (1.5 bar) Output	150 (255)	150 (255)	150 (255)
Exhaust Capacity SCFM, (m³/HR) Downstream Pressure 5 PSIG, (.35 bar) Above 20 PSIG, (1.5 bar) Setpoint	40 (62.5)	40 (62.5)	40 (62.5)
Sensitivity (water column)	1.0" (2.54 cm)	2.0" (5.08 cm)	3.0" (7.62 cm)
Ratio Accuracy % of 100 PSIG, (7.0 bar) Output Span	3.0	3.0	3.0
% of Output Span with 100 PSIG (7.0 bar) Input Span	—	—	—
Supply Pressure Effect, PSIG (bar) for change of 100 PSIG, (7.0 bar), (700 kPa).	0.10 (.007)	0.20 (.014)	0.30 (.021)
Ambient Temperature, °F (°C)	-40 to +200 (-40 to +93)		
Hazardous Locations	Acceptable for use in Zones 1 and 2 for gas atmospheres; Groups IIA and IIB and Zones 21 and 22 for dust atmospheres.		

WBA45 Kits and Accessories

Service Kits

- 1:1 Ratio PS19549-1
- 1:1 Ratio w/ Tapped Exhaust PS19549-1E
- 1:3 Ratio PS19549-3
- 1:2 Ratio PS19549-2
- 1:1 w/ Tapped Exhaust, I Option PS19549-20E