

WILKERSON®

Richland, Michigan 49083

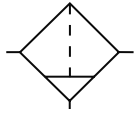
FRL-SIF-605

X08 Moisture Indicator

ISSUED: December, 2004

Supersedes: None

Moisture Indicator X08



Manual
Drain



X08-02-000

Features

- Transparent Plastic Bowl Standard
- Silica Gel Changes Color For Moisture Indication

 = "Most Popular"

Specifications

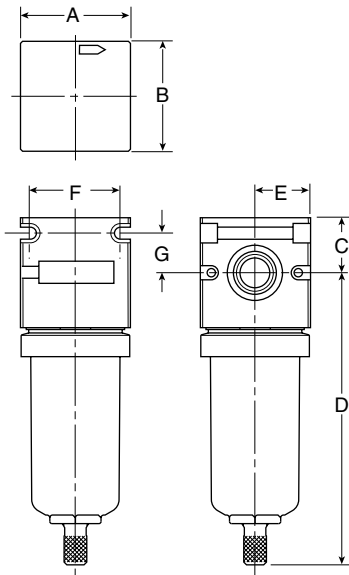
Operating Temperature	Plastic Bowl	32° to 120°F (0° to 49°C)
Maximum Supply Pressure	Plastic Bowl	150 PSIG (10,3 bar)
Port Size	NPT / BSPT-Rc	1/4
Weight	lb. (kg)	0.34 (0,15)

Materials of Construction

Body		Zinc
Bowls	Plastic Bowl	Polyurethane
Seals		Nitrile

Replacement Kits

Plastic Bowl Kit..... BKF35A



Dimensions

Models	Inches (mm)	A	B	C	D	E	F	G
Standard Unit X08-02-000		1.59 (40,5)	1.59 (40,5)	0.81 (20,6)	4.25 (107,9)	0.80 (20,2)	1.31 (33,3)	0.58 (14,7)