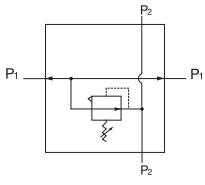
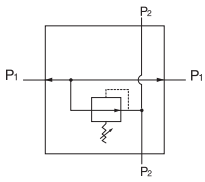


# Common-P1 Regulator R09



Relieving



Non-Relieving

B

Filters, Regulators, Lubricators

## Features

- Balanced Valve Design
- 2 Regulated Ports
- Ease of Maintenance of Serviceability
- Light Weight
- Modern Design and Appearance

## Specifications

Flow Capacity*	1/4	42 SCFM (20 dm <sup>3</sup> /s)
Adjusting Range Pressure		0 to 30 PSIG (0 to 2.1 bar)
		0 to 60 PSIG (0 to 4.1 bar)
		0 to 125 PSIG (0 to 8.6 bar)
Maximum Supply Pressure		300 PSIG (20.7 bar)
Operating Temperature		-4° to 150°F (-20° to 65.5°C)
P1 Port Size (Inlet / Outlet)	NPT / BSPP-G	1/4
P2 Regulated Ports (2 ea.)	NPT / BSPP-G	1/8
Weight		0.37 lb (0.17 kg)

\* Inlet pressure 100 PSIG (6.9 bar). Secondary pressure 90 PSIG (6.2 bar).

## Materials of Construction

Adjustment Knob	Acetal
Body	Aluminum
Body Cap	ABS
Bonnet	33% Glass-filled PBT
Bottom Plug	33% Glass-filled Nylon
Diaphragm Assembly	Brass / Nitrile
Valve Assembly	Brass / Nitrile

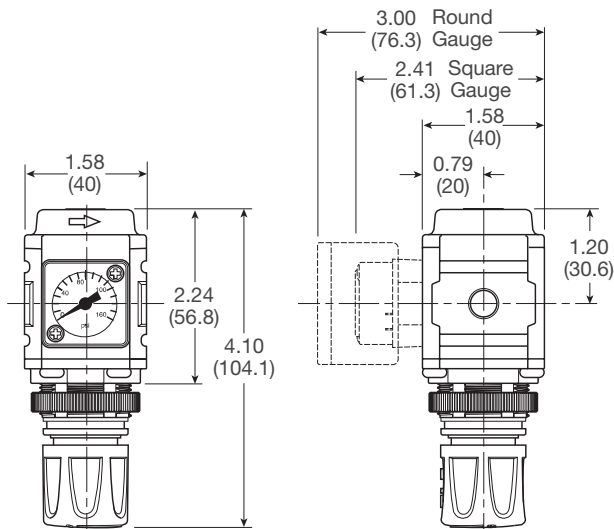
### ⚠ WARNING

**Product rupture can cause serious injury.  
Do not connect regulator to bottled gas.  
Do not exceed maximum primary pressure rating.**

### CAUTION:

**REGULATOR PRESSURE ADJUSTMENT** – The working range of knob adjustment is designed to permit outlet pressures within their full range. Pressure adjustment beyond this range is also possible because the knob is not a limiting device. This is a common characteristic of most industrial regulators, and limiting devices may be obtained only by special design.

For best performance, regulated pressure should always be set by increasing the pressure up to the desired setting.



Inches (mm)

**NOTE:** 1.90 in. (48mm) hole required for panel nut mounting.

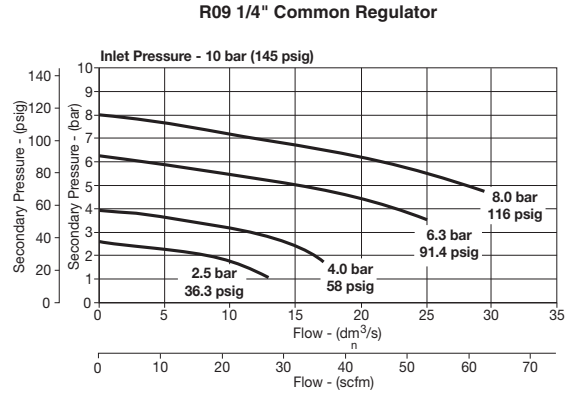
 = "Most Popular"

### Replacement Kits

- Diaphragm Assembly –
  - Non-relieving..... GRP-96-726B
  - Relieving..... GRP-96-725B
- Spring, Regulating –
  - 0 to 30 PSIG (0 to 2.1 bar)..... GRP-95-111B
  - 0 to 60 PSIG (0 to 4.1 bar)..... GRP-96-718B
  - 0 to 125 PSIG (0 to 8.6 bar)..... GRP-96-717B

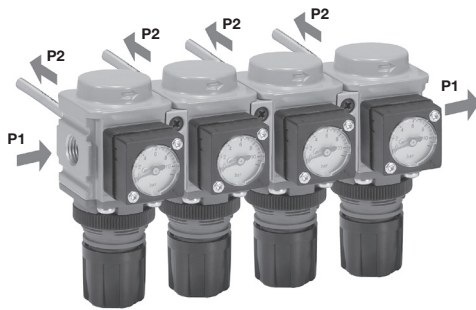
### Accessories

- Gauge, Pressure –
  - 0 to 60 PSIG (0 to 4.1 bar),  
1.00" Dial Face, 1/8" NPT, CBM ..... K4510N18060
  - 0 to 160 PSIG (0 to 11.0 bar),  
1.00" Dial Face, 1/8" NPT, CBM ..... K4510N18160
- Panel Mount Nut –
  - Aluminum..... RPA-96-733
  - Plastic..... RPA-96-734
- Tamper Resistant Kit..... RPA-96-735
- Wall Mounting Bracket –
  - C-Type..... GPA-97-010
  - L-Type..... GRP-96-739
  - T-Type..... GPA-96-737



**B**  
Filters, Regulators, Lubricators

**NOTE:** Square gauge not included, order separately by accessory number.



**Typical Application**

### Ordering Information

All P2 Regulated Ports are 1/8" Ports

Model Type	P1 Port Size	Without Gauge 0 to 125 PSIG (0 to 8.6 bar)	Without Gauge 0 to 30 PSIG (0 to 2.1 bar)	Without Gauge 0 to 60 PSIG (0 to 4.1 bar)
Relieving	1/4	R09-02-FB00B	R09-02-CB00B	R09-02-DB00B
Non-relieving	1/4	R09-02-RB00B	R09-02-PB00B	R09-02-WB00B

**Options** - To order an option supplied with the unit model, add the appropriate coded suffix letter in the designated position of the model number.