



Control Panel Products

| | | | |
|--|-------|-------------------------------------|---------|
| Basic Features | G4-G5 | Legend Plates, Specifications | G11 |
| Push Button, Selector Switches with Bodies | G6 | Mounting..... | G12 |
| Push Buttons..... | G7 | Visual Indicators 22mm (7/8") | G13 |
| Selector Switches..... | G8 | Foot Pedal Operated Switches..... | G14 |
| Valve Bodies & Accessories..... | G9 | Two-Hand Controls..... | G15-G16 |
| Dimensions & Assembly..... | G10 | | |

G
Airline Accessories

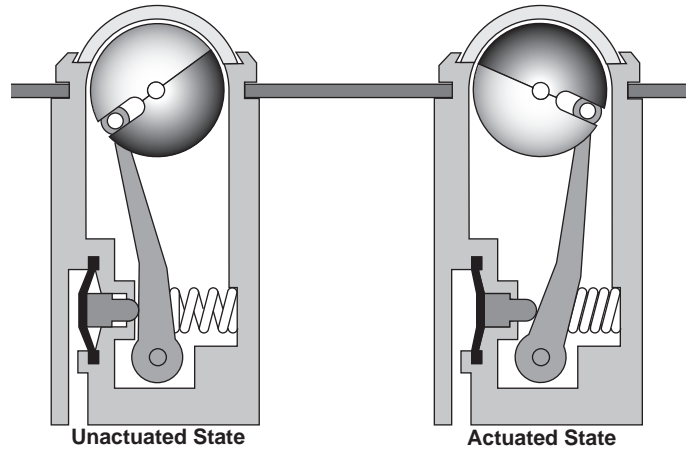
BOLD ITEMS ARE MOST POPULAR.

HUMAN-MACHINE DIALOG requires devices such as push buttons and selector switches to provide command inputs. A wide variety of these devices is available to meet most application needs. Both pneumatic and electrical switch bodies are available to match system technology. All of these devices use the 22 mm (7/8") mounting standard.



Pneumatic Visual Indicators

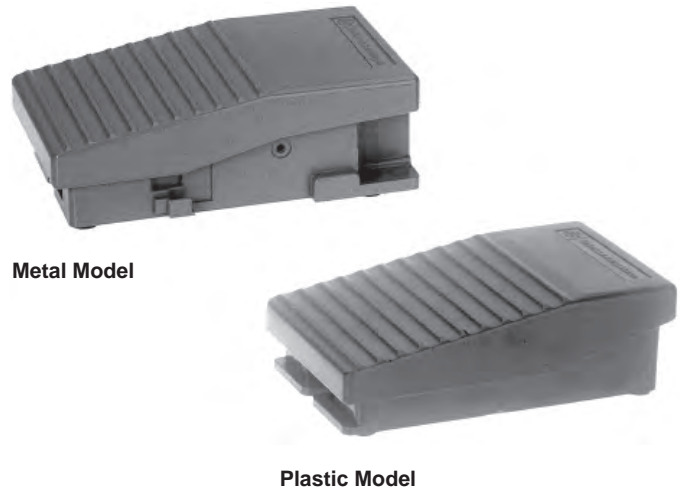
An indicator ball is rotated by a pneumatic input, changing the visible color. The ball sits behind a clear plastic window, providing a wide field of view. The visual indicators are available in five brightly colored Day-Glow paints for increased visibility. Like push buttons and selector switches, visual indicators use the 22mm (7/8") mounting standard.



G

Foot Pedal Switches

When the application requires the use of foot pedals, these devices can be used to initiate a cycle or a step within a cycle. A metal foot pedal is available with protective guard.



Airline Accessories

Modular Pneumatic / Electric Push Buttons

As with electrical contact switches, pneumatic valve modules can be mounted on a number of different operating heads.

- Pneumatic normally non passing (NNP) is equivalent to electrical normally open (N.O.).
- Pneumatic normally passing (NP) is equivalent to electrical normally closed (N.C.).

Note: Electrical switches can be stacked, but the rear connection on pneumatic switches prevents stacking. Therefore, when mixing electrical and pneumatic switch bodies on the same operator, the pneumatic switch must be mounted last.



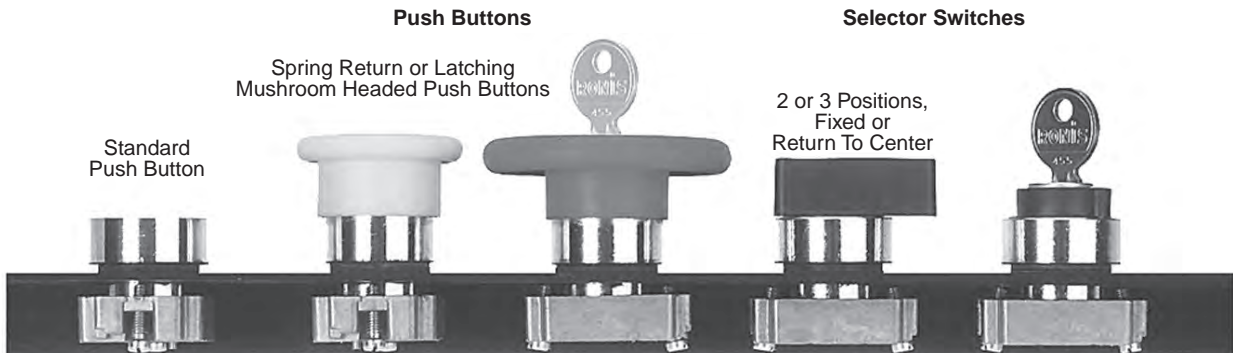
PXBB3911



PXBB4932



PXBB4931



Push Buttons

Selector Switches

Standard Push Button

Spring Return or Latching Mushroom Headed Push Buttons

2 or 3 Positions, Fixed or Return To Center

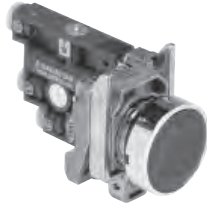
With 3/2 Valve Bodies 5/32" Instant Straight Connections

Flush Push Buttons

Selector Switches



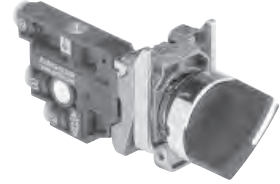
PXBB3111BA2



PXBB4131BA2



PXBB3111BD2



PXBB4131BD2

| Part Number | Color | Function | Type of Switching* |
|-------------|-------|---------------|------------------------|
| PXBB3111BA2 | Black | Spring Return | NNP |
| PXBB3111BA3 | Green | | |
| PXBB3111BA4 | Red | | |
| PXBB3251BA2 | Black | Spring Return | NNP+NP |
| PXBB4131BA2 | Black | Spring Return | Single Universal 3-Way |
| PXBB4131BA3 | Green | | |
| PXBB4131BA4 | Red | | |
| PXBB4231BA2 | Black | Spring Return | Dual Universal 3-Way |

* Type of switching: Universal 3-way: valve can be connected either as NP or NNP as required by connecting the primary air supply to port 1 or port 3.

Note: Mount up to three valves on mounting ring.

| Part Number | Color | Function | Type of Switching* |
|-------------|-------|---|------------------------|
| PXBB3111BD2 | Black | 2 Maintained | NNP |
| PXBB3211BD2 | Black | Positions with | NNP+NNP |
| PXBB3251BD2 | Black | Std. Handle | NNP+NP |
| PXBB3211BD3 | Black | 3 Maintained Positions with Std. Handle | NNP+NNP |
| PXBB3251BD3 | Black | | NNP+NP |
| PXBB3211BJ5 | Black | 3 Positions, Spring Return to Center with Long Handle | NNP+NNP |
| PXBB4131BD2 | Black | 2 Maintained Positions with Std. Handle | Single Universal 3-Way |
| PXBB4231BD2 | Black | 2 Maintained Positions with Std. Handle | Dual Universal 3-Way |
| PXBB4231BD3 | Black | 3 Maintained Positions with Std. Handle | Dual Universal 3-Way |
| PXBB4231BJ5 | Black | 3 Maintained Positions with Long Handle | Dual Universal 3-Way |

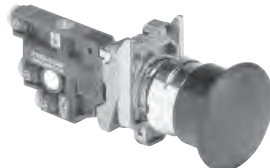
* Type of switching: Universal 3-way: valve can be connected either as NP or NNP as required by connecting the primary air supply to port 1 or port 3.

Mushroom Head Push Buttons

(40mm Diameter)



PXBB3111BC2



PXBB4131BC2

| Part Number | Color | Function | Type of Switching* |
|-------------|-------|---------------|------------------------|
| PXBB3111BC2 | Black | Spring Return | NNP |
| PXBB3111BT4 | Red | Push-Pull | |
| PXBB3121BT4 | Red | Push-Pull | NP |
| PXBB4131BC2 | Black | Spring Return | Single Universal 3-Way |
| PXBB4131BT4 | Red | Push-Pull | |

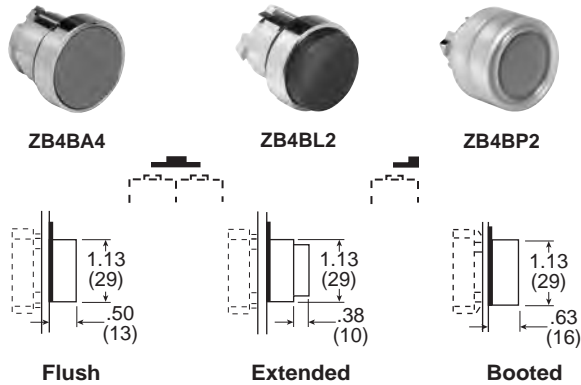
* Type of switching: Universal 3-way: valve can be connected either as NP or NNP as required by connecting the primary air supply to port 1 or port 3.

Note: Mount up to three valves on mounting ring.

BOLD ITEMS ARE MOST POPULAR

For Use With PXBB Valve Bodies and ZBE Electrical Switch Bodies

Push Buttons



| Plastic Head ZB5** | Metal Head ZB4* | Color | Function | Description |
|-----------------------|--------------------|--------|---------------|-------------|
| ZB5AA2 | ZB4BA2 | Black | Spring Return | Flush |
| ZB5AA3 | ZB4BA3 | Green | | |
| ZB5AA4 | ZB4BA4 | Red | | |
| — | ZB4BA5 | Yellow | | |
| — | ZB4BA6 | Blue | | |
| ZB5AL2 | ZB4BL2 | Black | Spring Return | Extended |
| ZB5AL3 | ZB4BL3 | Green | | |
| ZB5AL4 | ZB4BL4 | Red | | |
| — | ZB4BL5 | Yellow | | |
| — | ZB4BP2 | Black | Spring Return | Booted |
| — | ZB4BP3 | Green | | |
| — | ZB4BP4 | Red | | |

* ZB4*** Model Numbers are Metal Head Operators

** ZB5*** Model Numbers are Plastic Head Operators

Push / Push Buttons

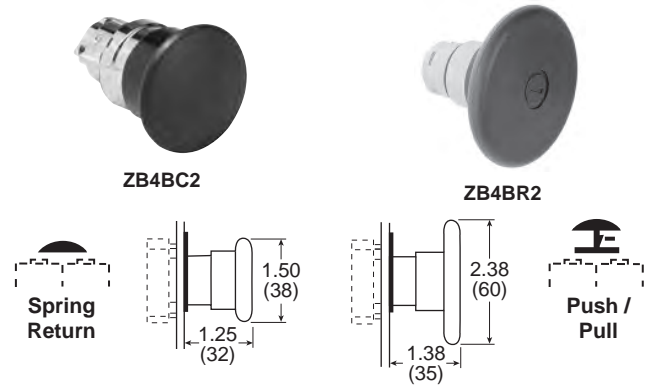


ZB4BH02

| Part Number* | Color | Function | Description |
|--------------|-------|----------------------|-------------|
| ZB4BH02 | Black | Detent 2-Position | Flush |
| ZB4BH03 | Green | | |
| ZB4BH04 | Red | | |

* ZB4**** Model Numbers are Metal Head Operators

Mushroom Head Push Buttons



| Part Number* | Color | Function | Description |
|----------------|-------|-----------------------|-------------|
| ZB4BC2 | Black | Spring Return | Ø 40mm Head |
| ZB4BC3 | Green | | |
| ZB4BC4 | Red | | |
| ZB4BT2 | Black | Latching Push-Pull | |
| ZB4BT3 | Green | | |
| ZB4BT84 | Red | | |
| ZB4BR2 | Black | Spring Return | Ø 60mm Head |
| ZB4BR3 | Green | | |
| ZB4BR4 | Red | | |

* ZB4*** Model Numbers are Metal Head Operators

Mounting Accessories



ZB5AZ905

| Part Number | Color | Description |
|-------------|-------|---|
| ZB5AZ905 | — | Plastic Head (ZB5) Mounting Nut Tightening Tool |

G

Airline Accessories

BOLD ITEMS ARE MOST POPULAR

For Use With PXBB Variable Composition Switch Bodies

Selector Switches

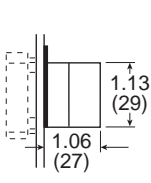
Key Operated Selectors



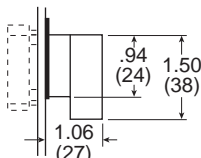
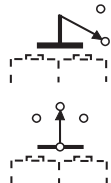
ZB4BD3



ZB4BJ3



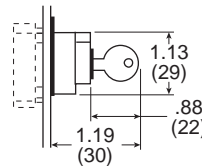
Standard Selector



Knob Lever



ZB4BG2



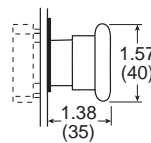
| Standard Black Handle | | |
|-----------------------|--|-------------|
| Part Number* | Description | Function |
| ZB4BD2 | Maintained | 2-Positions |
| ZB4BD4 | Spring Return from Right to Left | |
| ZB4BD3 | Maintained | 3-Positions |
| ZB4BD5 | Spring Return to Center from Left and Right | |
| ZB4BD7 | Maintained Right Spring Return from Left to Center | 3-Positions |
| ZB4BD8 | Maintained Left Spring Return from Right to Center | 3-Positions |
| Long Black Handle | | |
| ZB4BJ2 | Maintained | 2-Positions |
| ZB4BJ4 | Spring Return from Right to Left | |
| ZB4BJ3 | Maintained | 3-Positions |
| ZB4BJ5 | Spring Return to Center from Left and Right | |

* ZB4*** Model Numbers are Metal Head Operators

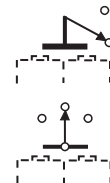
| Key Operated | | |
|--------------|----------------|--|
| Part Number* | Key Withdrawal | Function |
| ZB4BG2 | Left | 2 Maintained |
| ZB4BG4 | Left and Right | Positions |
| ZB4BG3 | Center | 3 Maintained |
| ZB4BG5 | Left and Right | Positions |
| ZB4BG7 | Center | 3 Positions 2 Spring Return to Center |

* ZB4*** Model Numbers are Metal Head Operators

Mushroom Head Push Buttons with Key Select



ZB4BS944



| Part Number* | Color | Function | Description |
|--------------|-------|--------------------------|-------------|
| ZB4BS844 | Red | Latching Turn to Release | Ø 40mm Head |
| ZB4BS944 | Red | Key Latching | |

* ZB4**** Model Numbers are Metal Head Operators

G

Airline Accessories

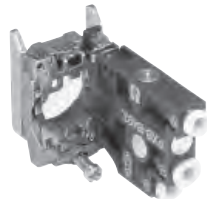
BOLD ITEMS ARE MOST POPULAR

For Use With 22mm (7/8") Metal Operating Heads 5/32" Instant Connections

3/2 Valve Bodies with Mounting Ring



PXBB3111B



PXBB4131B

| Part Number | Connections | Function | Type of Switching* |
|------------------|---------------|----------|--------------------|
| PXBB3111B | 5/32" Instant | 3/2 | NNP |
| PXBB3121B | 5/32" Instant | 3/2 | NP |
| PXBB4131B | 5/32" Instant | 3/2 | Universal 3-Way |

Note: • Mount up to 3 valves on mounting ring for push buttons.
 • Mount up to 2 valves on mounting ring for selector switches,
 Valves **cannot** be mounted in center position.

Specifications

| | | |
|----------------------|---|--------------------------------|
| Air Quality – | Standard Shop Air, Lubricated or Dry | 40 µm Filtration |
| Flow – | PXBB3• | Cv=.08 |
| | PXBB4• | Cv=.18 |
| Materials – | Body | Polyamide |
| | Operating Head | Zinc Alloy & Plastic |
| Operating Positions | All Positions | |
| Operating Pressure – | PXBB3• | 15 to 115 PSIG (1 to 9 bar) |
| | PXBB4• | 15 to 145 PSIG (1 to 10 bar) |
| Ports | 5/32" Instant for Semi-Rigid Nylon or Polyurethane Tube | |
| Temperature – | Operating | 5°F to 140°F (-15°C to + 60°C) |

Additional Valve Bodies



PXBB3911



PXBB4932



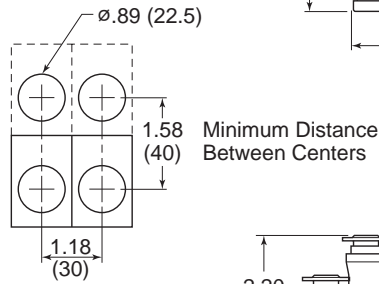
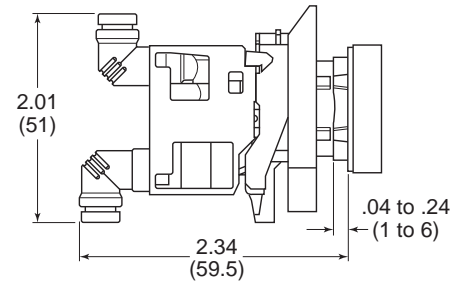
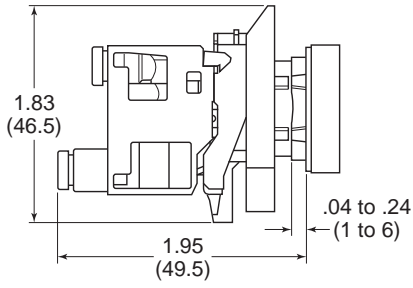
PXBB4931

| Part Number | Connections | Function | Type of Switching* |
|-----------------|------------------------|----------|--------------------|
| PXBB3911 | 5/32" Instant Straight | 3/2 | NNP |
| PXBB3912 | 5/32" Instant Swivel | | |
| PXBB3921 | 5/32" Instant Straight | 3/2 | NP |
| PXBB3922 | 5/32" Instant Swivel | | |
| PXBB4931 | 5/32" Instant Straight | 3/2 | Universal 3-Way |
| PXBB4932 | 5/32" Instant Swivel | | |

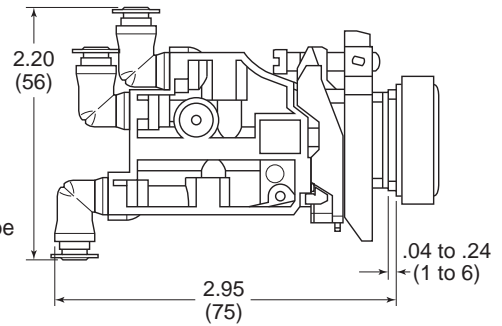
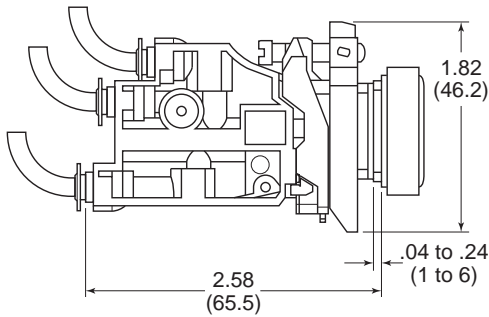
BOLD ITEMS ARE MOST POPULAR

Dimensions

PXB-B3 Dimensions



PXB-B4 Dimensions

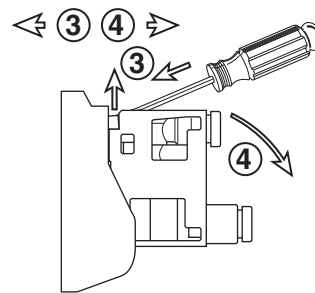
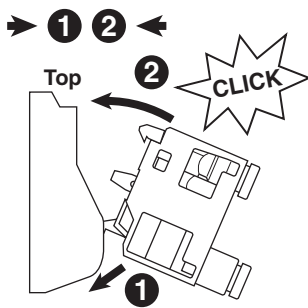


Tube Bending Radius For PXBB3 and PXBB4

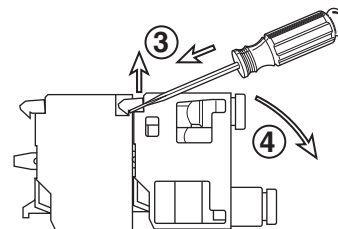
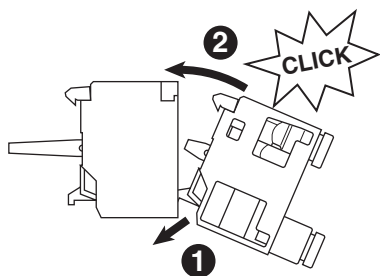
- 4 mm O.D. x 2 mm I.D. Tube = Minimum 0.39 (10) Radius
- 4 mm O.D. x 2.7 mm I.D. Tube = Minimum 0.59 (15) Radius

Assembly

Assembling PXB Valves On Mounting Block



Assembling PXB Valves On the Back of the Electrical Contact



For Push Buttons and Visual Indicators

Legend Plates

for PXBB
Devices
(22mm)



ZBY****

| Part Number | Description |
|--|---|
| Without Text For Customer Engraving | |
| ZBY2101 | Black / Red Background (White Letters) |
| ZBY4101 | Yellow / White Background (Black Letters) |
| With Text For Push Buttons | |
| ZBY2303 | Start |
| ZBY2304 | Stop |
| ZBY2305 | Forward |
| ZBY2306 | Reverse |
| ZBY2307 | Up |
| ZBY2308 | Down |
| ZBY2309 | Right |
| ZBY2310 | Left |
| ZBY2311 | On |
| ZBY2312 | Off |
| ZBY2313 | Open |
| ZBY2314 | Close |
| ZBY2321 | Inch |
| ZBY2323 | Reset |
| ZBY2326 | Power On |
| ZBY2327 | Slow |
| ZBY2328 | Fast |
| ZBY2330 | Emergency Stop |
| ZBY2334 | Run |
| With Text For 2-Position Selectors | |
| ZBY2367 | Off On |
| With Text For 3-Position Selectors | |
| ZBY2387 | Hand Off Auto |

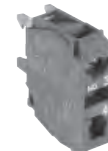
Blank Legend Plates for Inscription

| For PXBB Devices (2 lines of 11 characters maximum) Please indicate the required text when ordering. (Allow 3 weeks for delivery) | |
|--|----------------------------------|
| Part Number | Description |
| ZBY2002 | Black Background / White Letters |



For 22mm Visual Indicators Only

| 2 lines of 11 characters maximum Please indicate the required text when ordering. (Allow 3 weeks for delivery) | |
|--|----------------------------------|
| Part Number | Description |
| ZB2BY2002 | Black Background / White Letters |

Accessories



ZBE101

| Electrical Switch Bodies When combined with pneumatic valves, these contact blocks allow different forms of power to be provided from a single push button. Can be mounted with both types of valves PXBB3 / PXBB4. | |
|---|--|
| Electrical Specification: 240V, 10Amp | |
| Part Number | Type of Contact |
| ZBE101 |  Normally Open (NO) |
| ZBE102 |  Normally Closed (NC) |

Note: Plastic Mounting Ring ZB5AZ009 to be used with ZB5 Plastic Operating Heads.
Metal Mounting Ring ZB4BZ009 to be used with ZB4 Metal Operating Heads.



Metal: ZB4BZ009



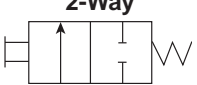
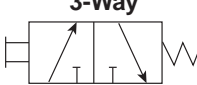

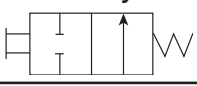
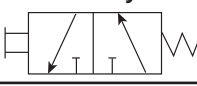
Plastic: ZB5AZ009

| Mounting Ring for Valve Bodies, Switch Bodies and Operating Heads To make up a complete push button with one to three switching elements with 5/32" instant connections, use this mounting block and select the operating heads and bodies in this Section. | |
|---|-----------------------|
| Part Number | Description |
| ZB4BZ009 | Metal Mounting Ring |
| ZB5AZ009 | Plastic Mounting Ring |
| To make up a complete selector switch with one or two switching elements with 5/32" instant connections, use this mounting block and select the operating heads and bodies in this Section. | |
| Part Number | Description |
| ZB4BZ009 | Metal Mounting Ring |
| ZB5AZ009 | Plastic Mounting Ring |

Note: To release push button from mounting ring, pull lever on top of mounting ring up and remove push button operator. To assemble push button operator to mounting ring, align arrows and snap into place.


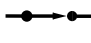

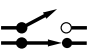
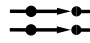
BOLD ITEMS ARE MOST POPULAR

Functionality Explanation

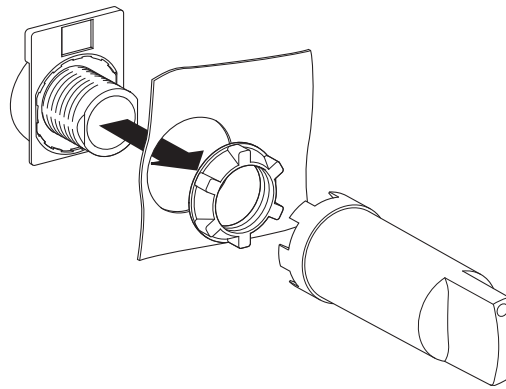
| Fluid Power | | Universal Description | Electrical | |
|------------------------|---|----------------------------|-----------------------|---|
| Function | Symbol | | Function | Symbol |
| Normally Closed (N.C.) |   | Normally Non-Passing (NNP) | Normally Open (N.O.) |  |
| Normally Open (N.O.) |   | | Normally Passing (NP) | Normally Closed (N.C.) |

Type of Switching: Universal 3-Way: Valve can be connected either as NP or NNP as required by connecting the primary air supply to port 1 or port 3.



- NP: Normally Non-Passing. 
- NP: Normally Passing. 
- NNP + NNP: Double Switch Body, Both Normally Non-Passing. 
- NNP + NP: Normally Non passing and Normally-Passing. 
- NP + NP: Both Normally Passing. 

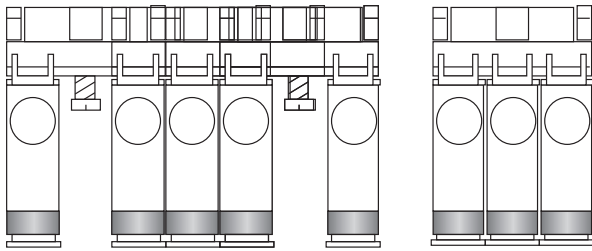
Assembling Output Devices and Heads On ZB5 Series Mounting Block



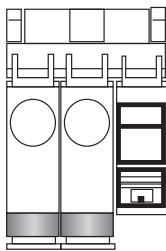
Combination of Output Devices On a Single Mounting Block

Up to 3 output devices (valves or electrical contacts) can be mounted side by side on 1 mounting block.

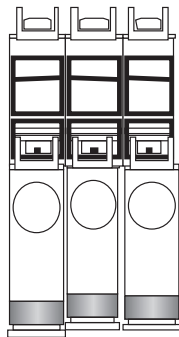
Note: The central position can only be activated by push button heads.



Electrical Contacts and Valves can be Combined Either Side by Side, or by Mounting the Valve on the Back of the Electrical Contact.

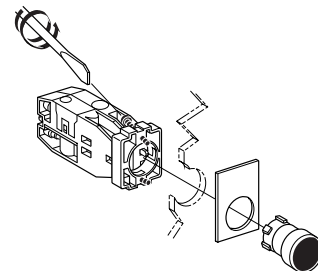


Side by Side Combination



Combination by Mounting Valves On the Back of the Electrical Contact

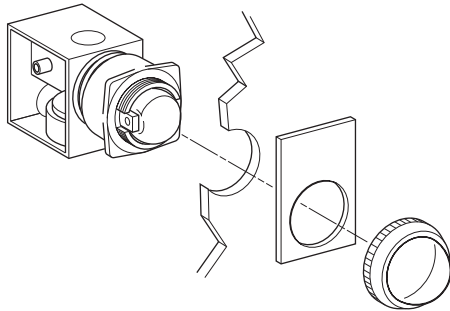
Mounting



With 5/32" Instant Connections 22mm Visual Indicators



PXVF131



Mounting

Specifications

| | |
|---|---|
| Air Quality – Standard Shop Air, Lubricated or Dry, 40µm Filtration | |
| Materials – | |
| Body | Polyamide |
| Operating Head | Zinc Alloy & Plastic |
| Number of Operations with Dry Air at 90 PSI (6 bar) and 68°F (20°C) - Frequency 1 Hz | |
| Mushroom Head | 1 million Operations 300,000 Operations |
| Operating Positions | |
| | All Positions |
| Operating Pressure | |
| | 15 to 115 PSIG (1 to 8 bar) |
| Ports – | |
| Standard | 5/32" Instant for Semi- Rigid Nylon or Polyurethane Tube |
| 10-32 UNF Available | |
| Temperature – | |
| Operating | 32°F to 122°F (0°C to + 50°C) |
| Storage | -22°F to 140°F (-30°C to +60°C) |

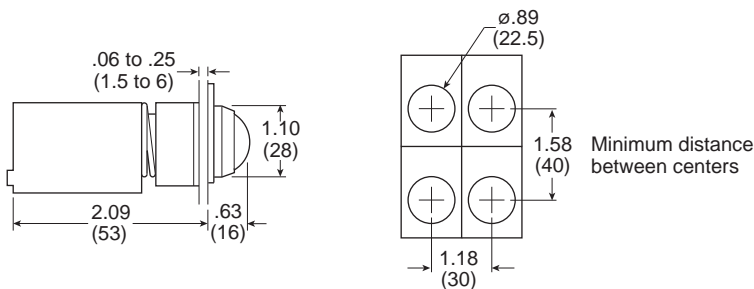
| Black Plastic Bezel | | |
|-------------------------------|--------------------------------|--------|
| Part Number "ON" Indicator | Part Number "OFF" Indicator | Color |
| PXVF131 | PXVF1213 | Green |
| PXVF141 | PXVF1214 | Red |
| PXVF151 | PXVF1215 | Yellow |
| PXVF161 | PXVF1216 | Blue |
| PXVF111 | PXVF1211 | White |

Notes:

- The Pneumatic Indicators are black in one position and colored in the other. The colored position corresponds either to the presence of a pressure ("ON" Indicator) or the absence of pressure ("OFF" Indicator).
- For Legend Plates, see page G11.

Dimensions

PXVF1••



Standard Duty 1/16" I.D. Valves with 5/32" Instant Connections

Protective Guard



PXPEM510

Foot Switches Without Protective Guard



PXPEA110

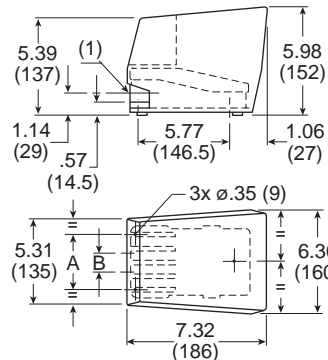
| Part Number | Function | Material | Type of Switching* |
|-------------|---|----------|--------------------|
| PXPEM510 | High resistance protective guard, with interlock mechanism to prevent accidental operation by a falling object. | Metal | NNP |

| Part Number | Function | Material | Type of Switching* |
|-------------|---------------|----------|--------------------|
| PXPEA110 | Spring Return | Plastic | NNP |
| PXPEM110 | Spring Return | Metal | NNP |

CAUTION:
 This valve shall not be used to actuate a punch press. Do not use this valve on punch presses or press brakes. See OSHA 1910.217.

Dimensions

PXPEM510



- (1) 2 mounting ports for adaptors for conduit fittings
- (2) 7° operating angle

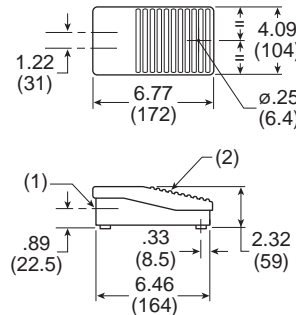
| | inch | mm |
|---|------|-----|
| a | 3.53 | 940 |
| b | 1.22 | 31 |

Notes: These Foot Pedal Operators come assembled with switch PXBB1921 (Normally Passing). With the pedal in the unoperated position, the switch is in the actuated non-passing position. With the pedal actuated, the switch is in the unactuated Normally Passing position.

Units will accept all switch bodies shown earlier in this Section, but care must be taken in selecting switch type.

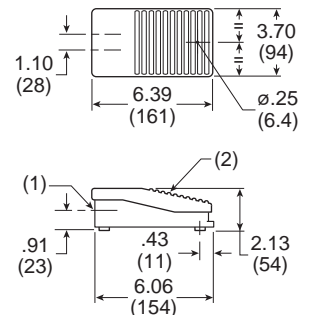
Dimensions

PXPEM110



- (1) .825" diameter thru hole
- (2) 6° operating angle

PXPEA110



- (1) .825" diameter thru hole
- (2) 6° operating angle

Specifications

| | |
|---|----------------------|
| Air Quality – Standard Shop Air, Lubricated or Dry, 40µm Filtration | |
| Flow at 90 PSI (6 bar) in SCFM (l/mn ANR) | 1.8 (50) |
| Materials – Body | Polyamide |
| Operating Head | Zinc Alloy & Plastic |
| Nominal Bore Ø in Inches (mm) | 1/16" (1.5) |
| Number of Operations with Dry Air at 90 PSI (6 bar) and 68°F (20°C) - Frequency 1 Hz..... | 1 million Operations |

| | |
|-------------------------|---|
| Operating Positions | All Positions |
| Operating Pressure | 15 to 115 PSIG (1 to 8 bar) |
| Ports – | 5/32" Instant for Semi-Rigid Nylon or Polyurethane Tube |
| Temperature – Operating | 32°F to 122°F (0°C to + 50°C) |
| Storage | -22°F to 140°F (-30°C to + 60°C) |

* NNP: Normally Non-Passing.

G

Airline Accessories

Two-Hand Control Enclosure

Features

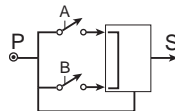
- The Pre-assembled Two-Hand Control Enclosure Occupies Both Hands of an Operator by Requiring Nearly Simultaneous Operation of Two Push buttons
- Poppet – Snap-acting (No Spools)
- Same Air as in Cylinders – Filtration: 40 Micron
- No Lubrication Required



PXPC111

| Part Number | Connections |
|-------------|---------------|
| PXPC111 | 5/32" Instant |

Operation



- Output "S" will appear only if "A" and "B" are simultaneously operated (within .5 seconds or less of each other).
- If the operator actuates only one push button, either "A" or "B", or if both "A" and "B" are actuated but at an interval greater than .5 seconds, output "S" will not appear.
- Output "S" is regenerated by supply "P". Output "S" will therefore disappear if supply "P" is cut off.
- Output "S" will disappear if either "A" or "B" is released.
- If output "S" disappears for any reason, "A" and "B" must be nearly simultaneously actuated to again provide output "S".
- Since output "S" is regenerated it appears sharply, at full force (snap-acting), and is quickly exhausted upon deactivation. In addition the module is not affected by the length or diameter of tubing used for output "S".

Specifications

| | |
|--|---|
| Operating Pressure | 40 to 120 PSI (3 to 8 bar) |
| Permissible Fluids – | Air or neutral gas 40 micron filtration, lubricated or dry |
| Flow at 90 PSI (6 bar) | 7 SCFM (200 l/mn ANR) |
| Operating Temperature | -5°F to 140°F (-15°C to 60°C) Below 40°F (5°C), an air dryer is required |
| Storage Temperature | -40°F to 160°F (-40°C to 70°C) |
| Number of operations with dry air at 90 PSI (6 bar), 68°F (20°C), frequency 1 Hz | 1 Million Operations |
| Vibration resistance – | Conforms to section 19-2 of bureau Véritas regulations (November 1987) |
| Materials – | |
| Body | Glass Filled Nylon |
| Operating Head | Zinc Alloy and Plastic |
| Connections | 5/32" instant |

Mounting

Approvals:

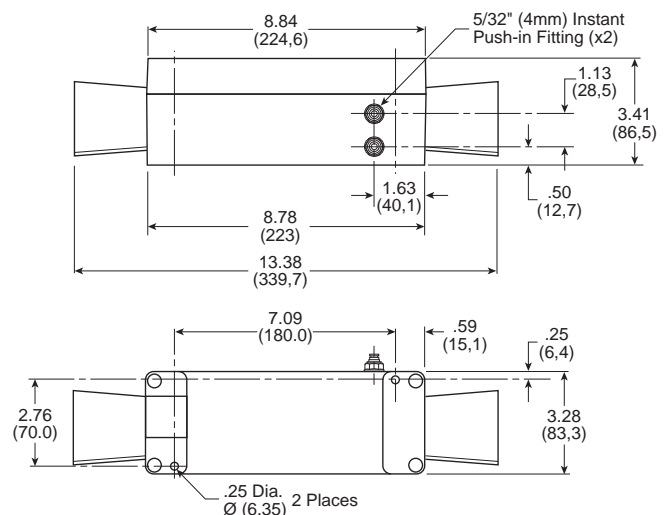
- In accordance with European Standard EN 574 - September 1996
- Conforms to the model that has obtained CE Type Test Certificate No. 02526 520 4631 0397

WARNING

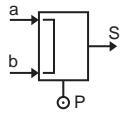
These devices should **NOT** be used in any application involving rotary clutch presses. Two hand control modules do not of themselves insure the safety of any machine. Users and original equipment manufacturers are responsible for making sure that installations meet all relevant safety regulations.

Dimensions

Inches (mm)



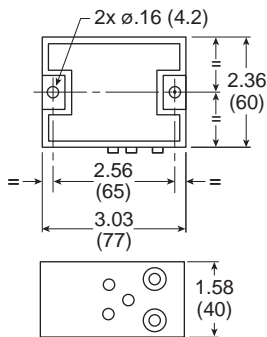
Two-Hand Control Module



PXPA11

| Part Number | Connections |
|-------------|---------------|
| PXPA11 | 5/32" Instant |

Dimensions



PXPA11

Specifications

| | |
|--|---|
| Air Quality – | Standard Shop Air, Lubricated or Dry, 40µm Filtration |
| Flow at 90 PSI (6 bar) in SCFM (l/mn ANR) | 7 (200) |
| Materials – | |
| Body | Polyamide |
| Operating Head | Zinc Alloy & Plastic |
| Nominal Bore Ø in Inches (mm) | 7/64" (2.5) |
| Number of Operations with Dry Air at 90 PSI (6 bar) and 68°F (20°C) - Frequency 1 Hz | 1 million Operations |
| Operating Positions | All Positions |
| Operating Pressure | 40 to 115 PSIG (3 to 8 bar) |
| Ports – | |
| 5/32" Instant for Semi-Rigid Nylon or Polyurethane Tube | |
| Temperature – | |
| Operating | 32°F to 122°F (0°C to 50°C) |
| Storage | -22°F to 140°F (-30°C to 60°C) |
| Vibration resistance – | |
| Conforms to section 19-2 of bureau Véritas regulations (November 1987) | |

WARNING

These devices should **NOT** be used in any application involving rotary clutch presses. Two hand control modules do not of themselves insure the safety of any machine. Users and original equipment manufacturers are responsible for making sure that installations meet all relevant safety regulations.

Notes: These two-hand control modules provide an output signal upon nearly concurrent operation of two push buttons.

Two-Hand Control Module Guard



PPRL15

| Part Number | Base Component |
|-------------|----------------|
| PPRL15 | PXPC111 |

Two Hand Repair Parts

| Part Number | Quantity Required | Description |
|-------------|-------------------|----------------------------|
| PXPA11 | 1 | Control Module |
| PXBB3111B | 2 | Valve Body & Mounting Ring |
| ZB4BR* | 2 | Push Button |
| PPRL15 | 2 | Control Module Guard |

* 2 = Black, 3 = Green, 4 = Red

G

Airline Accessories